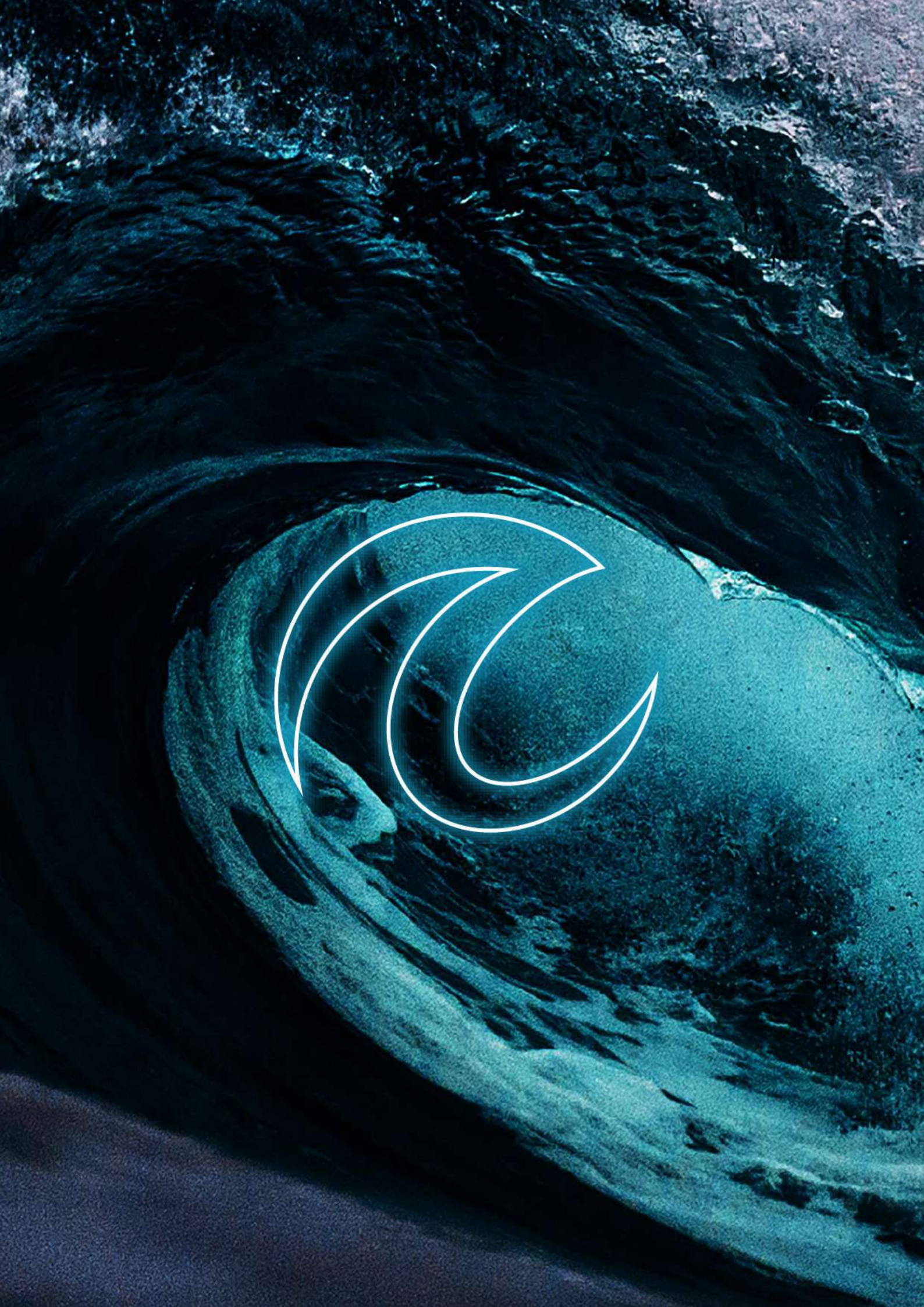




AGUACARBON[®]

your lightweight nautical accessories



Index

—————	The company	pag 5
—————	EasyWay Line	pag 8
—————	Accessories	pag 18
—————	Finishes	pag 28
—————	Duffel Bags	pag 30
—————	EasyPol	pag 32
—————	Flyup	pag 36
—————	Skyline Flagpole	pag 40
—————	Easygrips	pag 44
—————	Contacts	pag 50

The company

“We set our sights on the horizon, shaping a new way of experiencing the sea”

Aguacarbon is the proprietary brand of Neotecmar, a nationally and internationally recognized company in the maritime industry.

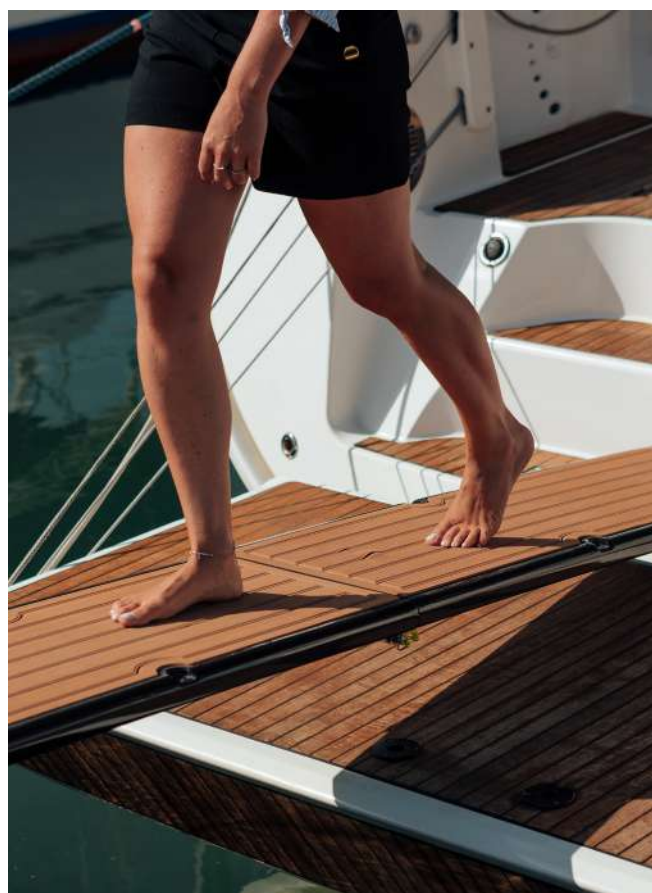
Leveraging cutting-edge technologies, we specialize in the design and production of exquisitely crafted and high-performance carbon fiber components.

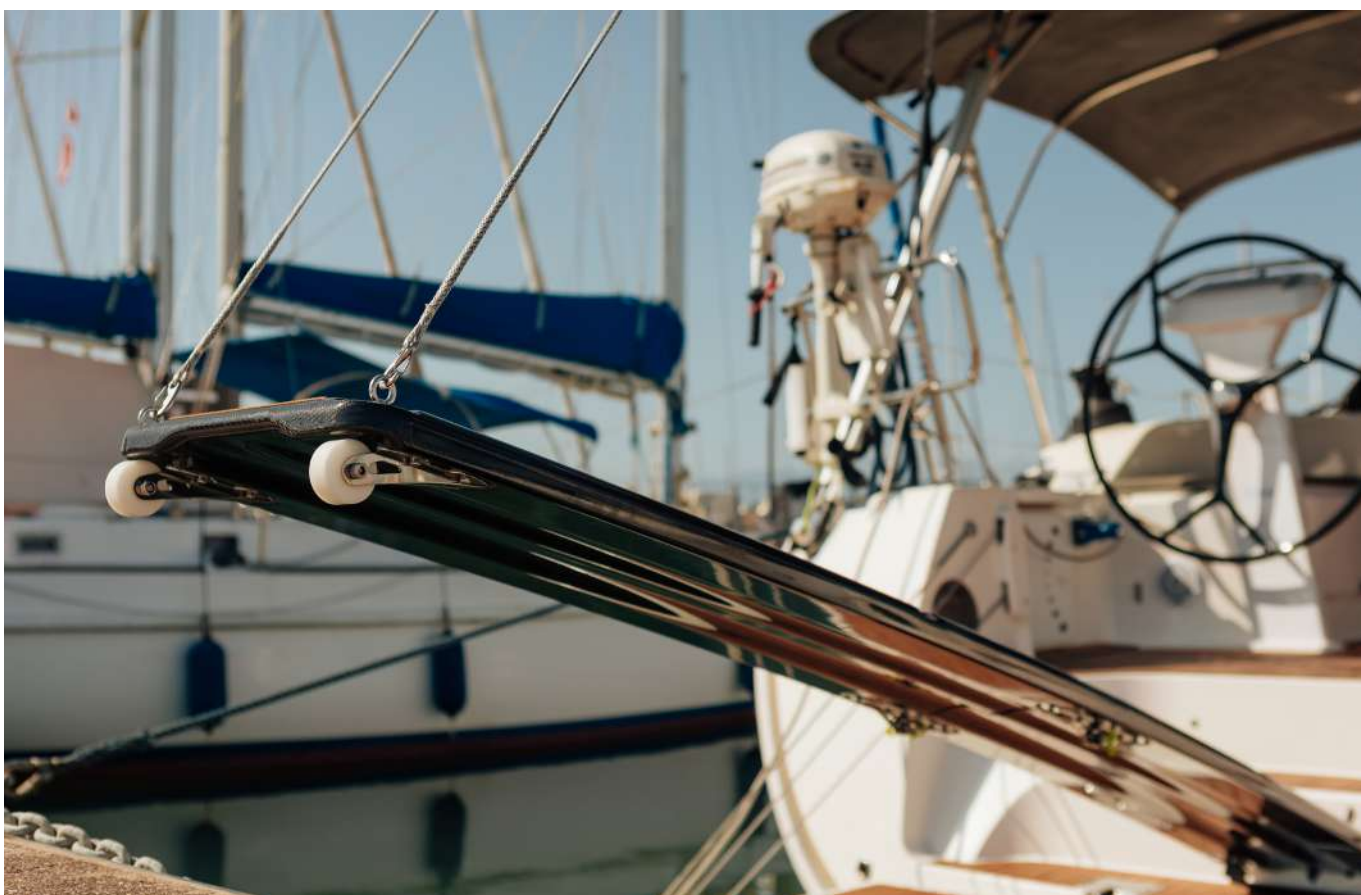
Our philosophy revolves around meticulous attention to detail, ensuring durable and highly efficient products.

Blending creativity with innovative engineering, our carbon fiber components strike a perfect balance between aesthetics and functionality.

Our 'one shot' production methodology, free from adhesives and post-processing, guarantees a monolithic structure that offers exceptional strength and reliability.

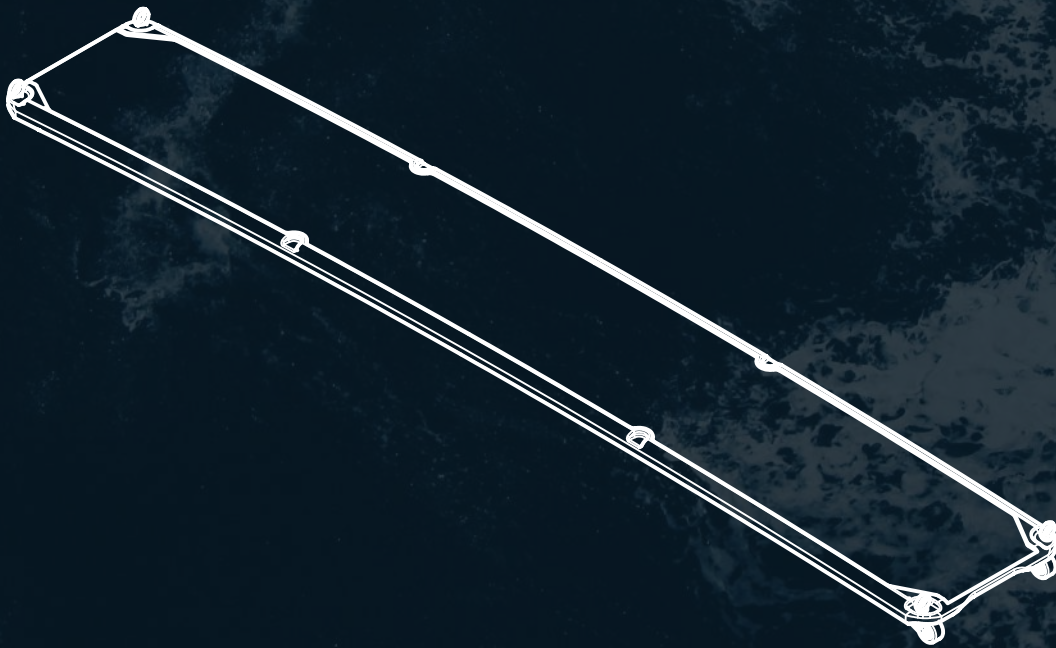
Aguacarbon stands out for its elegance and commitment to maritime excellence/ to a nautical realm of excellence, providing avant-garde solutions to ensure a unique experience.





EasyWay Line

Drawing inspiration from the graceful curves of sea waves that paint endless landscapes, we have created EasyWay: the gangway that will accompany you in conquering new routes.



EasyWay Line



Easy Way is a fully carbon fiber gangway, manufactured using the 'Oneshot' method that results in a monolithic structure without the need for adhesives. The production employs high-quality raw materials such as aerospace-grade pre-preg, which, through autoclave polymerization processes, ensure maximum quality and performance.

Inserts and hinges are crafted from naval-grade stainless steel (AISI 316L), ensuring maximum corrosion resistance.

The Easy Way gangway stands out with its hollow carbon fiber structure, making it incredibly lightweight and high-performing. Thanks to this innovative feature, it not only offers superior performance but also significant fuel savings, as its reduced weight doesn't burden the vessel.

EW215

monocoque



Item code: EWM215EA

Open Length	2150 mm
Width	400 mm
Weight	ca. 6 Kg
Available Colors	Standard Finish in Carbon Look with Non-Slip White Tread

weight to be considered excluding metal inserts

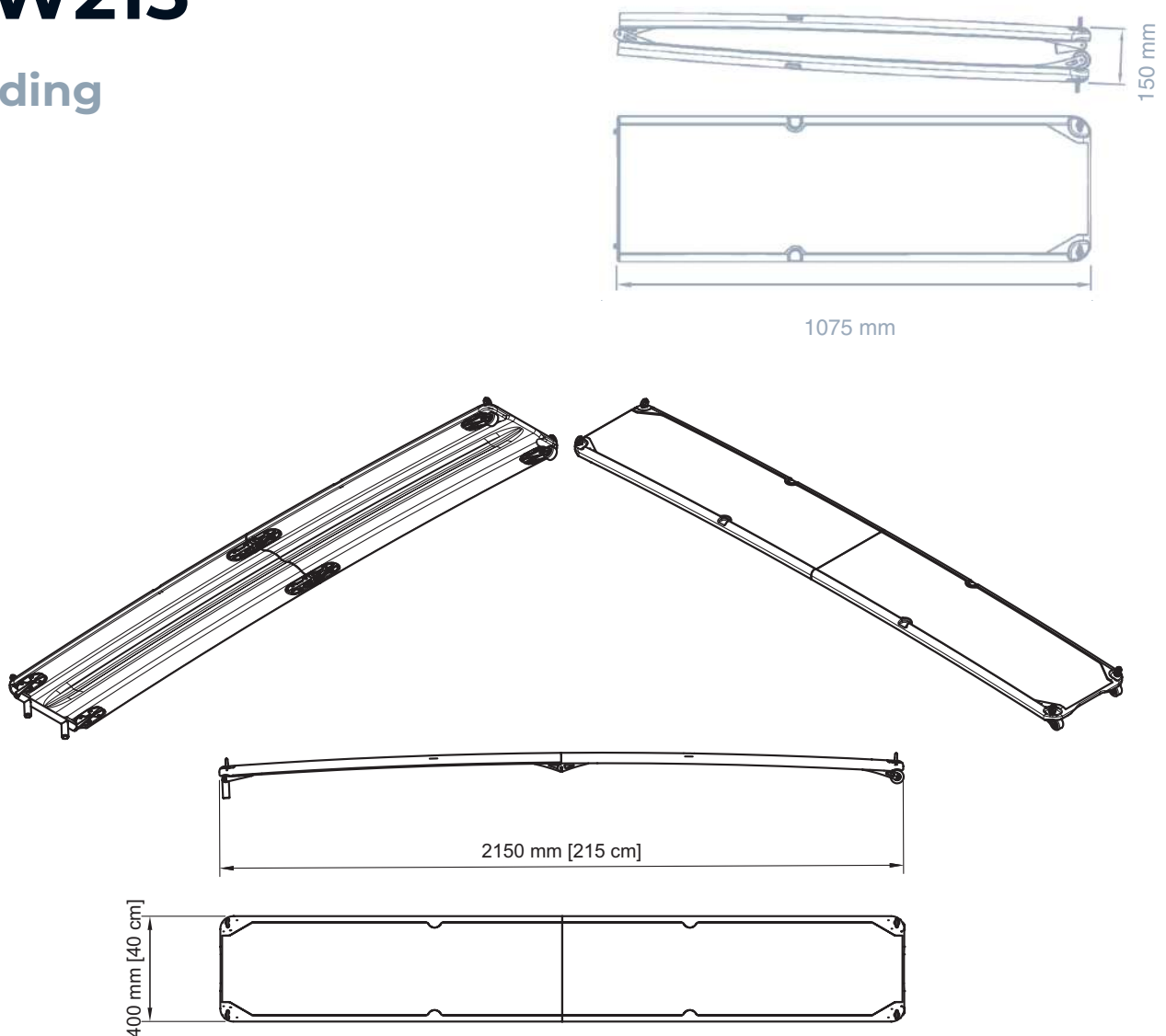
Accessory equipment

- Polished naval-grade stainless steel hinges AISI 316L;
- Standard Kiwi Grip paint in white color;
- Balance beam with on-board fastening pin;
- Naval-grade stainless steel eye bolts AISI 316L for trapeze;
- TEFLON wheels on the quay side

EW215 is recommended for sailboats and motorboats ranging from 22 to 36 feet.

EW215

folding



Item Code: EWP215EA

Open Length	2150 mm
Closed Length	1075 mm
Width	400 mm
Weight	approx. 6,5 Kg
Available Colors	Standard Finish in Carbon Look with Non-Slip White Tread

weight to be considered excluding metal inserts

Accessory equipment

- Polished naval-grade stainless steel hinges AISI 316L;
- Standard Kiwi Grip paint in white color;
- Balance beam with on-board fastening pin;
- Naval-grade stainless steel eye bolts AISI 316L for trapeze;
- TEFLON wheels on the quay side

EW215 is recommended for sailboats and motorboats ranging from 22 to 36 feet.

EW240

monocoque



Item code: EWM240EA

Open Length	2400 mm
Width	400 mm
Weight	approx. 7 Kg
Available Colors	Standard Finish in Carbon Look with Non-Slip White Tread

weight to be considered excluding metal inserts

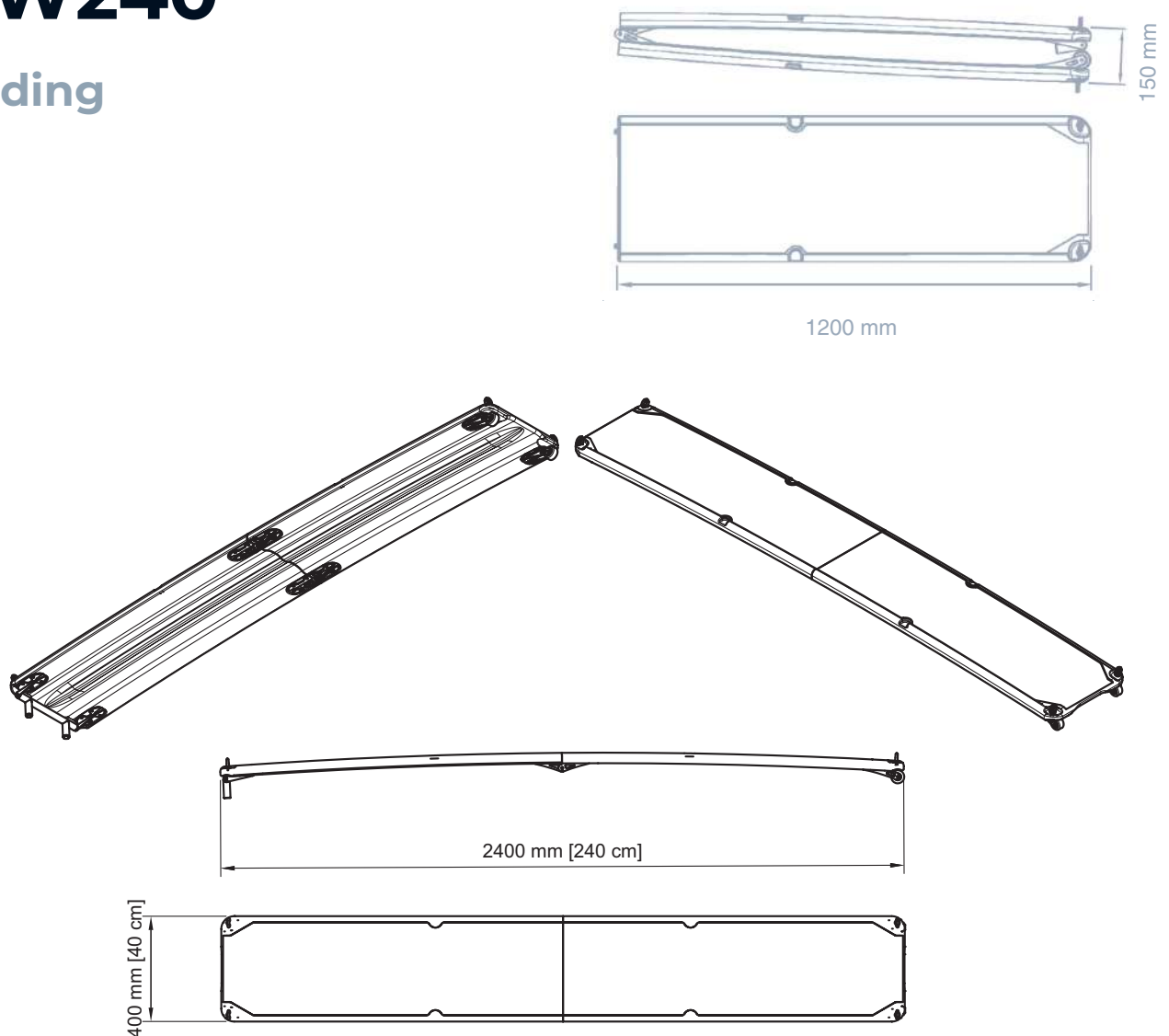
Accessory equipment

- Polished naval-grade stainless steel hinges AISI 316L;
- Standard Kiwi Grip paint in white color;
- Balance beam with on-board fastening pin;
- Naval-grade stainless steel eye bolts AISI 316L for trapeze;
- TEFLON wheels on the quay side

EW240 is recommended for sailboats and motorboats ranging from 36 to 44 feet.

EW240

folding



Item Code: EWP240EA

Open Length	2400 mm
Closed Length	1200 mm
Width	400 mm
Weight	approx. 7.5 kg
Available Colors	Standard Finish in Carbon Look with Non-Slip White Tread

weight to be considered excluding metal inserts

Accessory equipment

- Polished naval-grade stainless steel hinges AISI 316L;
- Standard Kiwi Grip paint in white color;
- Balance beam with on-board fastening pin;
- Naval-grade stainless steel eye bolts AISI 316L for trapeze;
- TEFLON wheels on the quay side

EW240 is recommended for sailboats and motorboats ranging from 36 to 44 feet.

EW260

monocoque



Item code: EWM260EA

Open Length	2600 mm
Width	400 mm
Weight	approx. 8 Kg
Available Colors	Standard Finish in Carbon Look with Non-Slip White Tread

weight to be considered excluding metal inserts

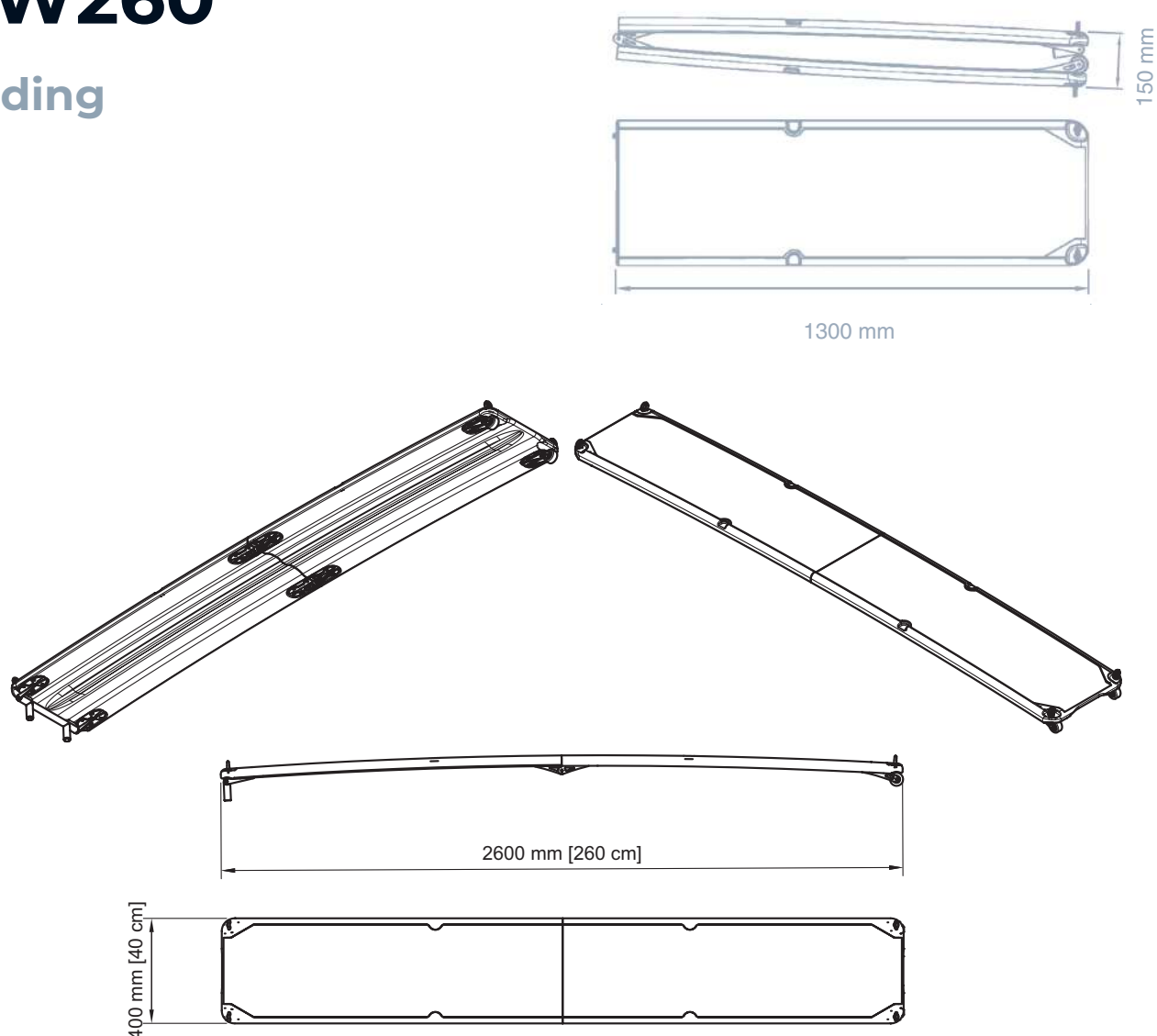
Accessory equipment

- Polished naval-grade stainless steel hinges AISI 316L;
- Standard Kiwi Grip paint in white color;
- Balance beam with on-board fastening pin;
- Naval-grade stainless steel eye bolts AISI 316L for trapeze;
- TEFLON wheels on the quay side

EW260 is recommended for sailboats and motorboats over 44 feet.

EW260

folding



Item code: EWP260EA

Open Length	2600 mm
Closed Length	1300 mm
Width	400 mm
Weight	approx. 8,5 Kg
Available Colors	Standard Finish in Carbon Look with Non-Slip White Tread

weight to be considered excluding metal inserts

Accessory equipment

- Polished naval-grade stainless steel hinges AISI 316L;
- Standard Kiwi Grip paint in white color;
- Balance beam with on-board fastening pin;
- Naval-grade stainless steel eye bolts AISI 316L for trapeze;
- TEFLON wheels on the quay side

EW260 is recommended for sailboats and motorboats over 44 feet.

EW280

monocoque



Item code: EWM280EA

Open Length	2800 mm
Width	420 mm
Weight	approx. 9 Kg
Available Colors	Standard Finish in Carbon Look with Non-Slip White Tread

weight to be considered excluding metal inserts

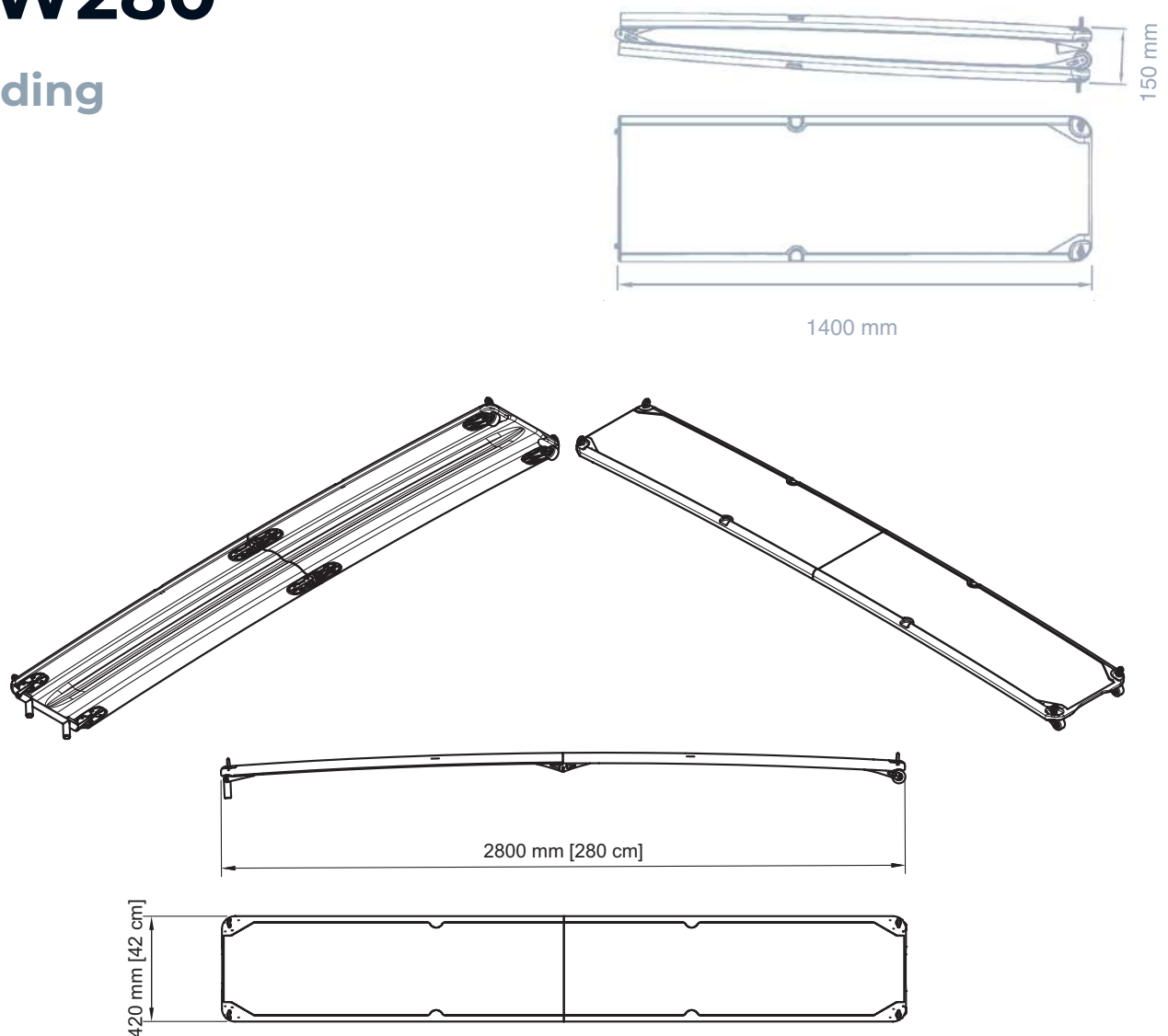
Accessory equipment

- Polished naval-grade stainless steel hinges AISI 316L;
- Standard Kiwi Grip paint in white color;
- Balance beam with on-board fastening pin;
- Naval-grade stainless steel eye bolts AISI 316L for trapeze;
- TEFLON wheels on the quay side

EW280 is recommended for sailboats and motorboats over 44 feet.

EW280

folding



Item code: EWM280EA

Open Length	2800 mm
Closed Length	1400 mm
Width	420 mm
Weight	approx. 9,5 Kg
Available Colors	Standard Finish in Carbon Look with Non-Slip White Tread

weight to be considered excluding metal inserts

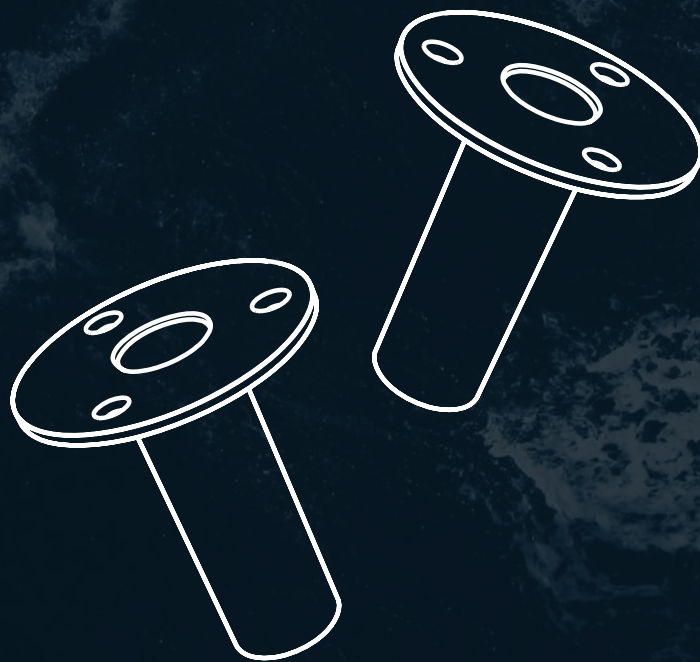
Accessory equipment

- Polished naval-grade stainless steel hinges AISI 316L;
- Standard Kiwi Grip paint in white color;
- Balance beam with on-board fastening pin;
- Naval-grade stainless steel eye bolts AISI 316L for trapeze;
- TEFLON wheels on the quay side

EW280 is recommended for sailboats and motorboats over 44 feet.

Accessories

Aguacarbon accessories are designed and manufactured in Italy according to the highest quality standards, ensuring a pleasant and safe navigation experience.



EasyWay



AGUACARBON®
your lightweight nautical accessories

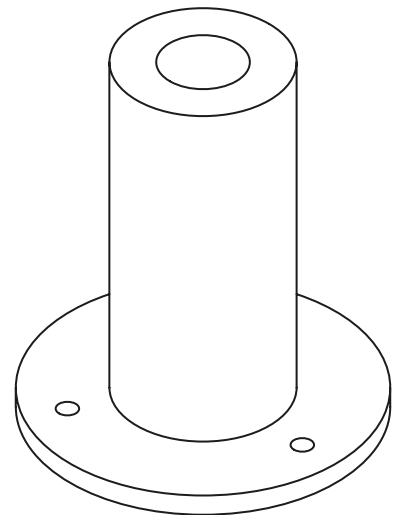
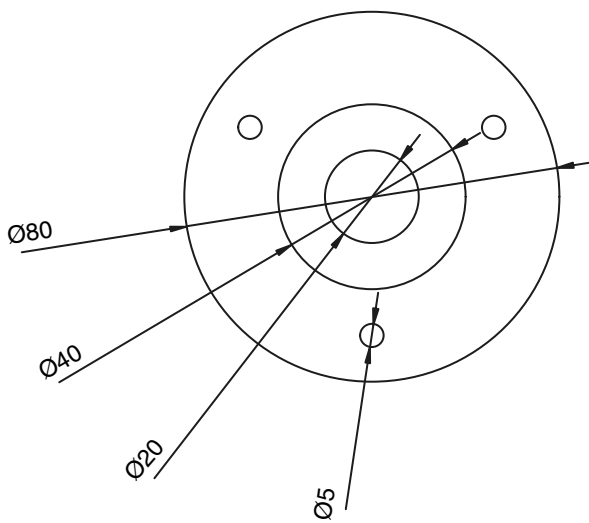
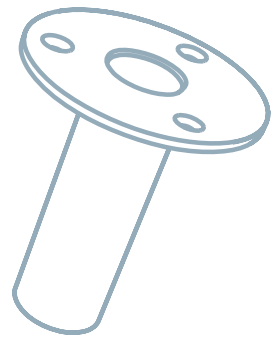
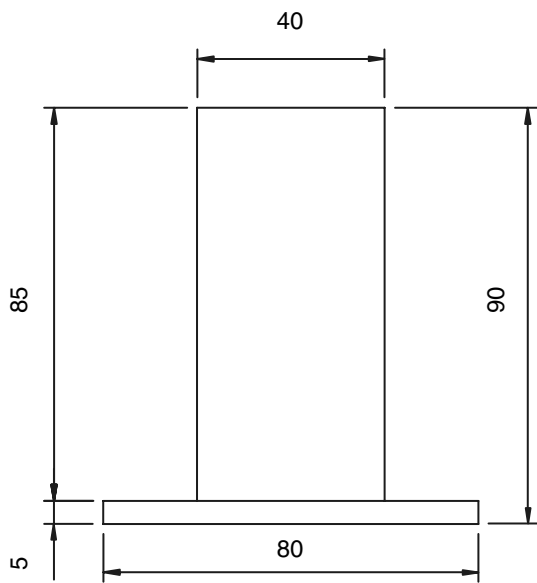
Accessories

On-board fastening bushing



Elegant and ultra-light recessed bushings made of carbon fiber and epoxy resin.

Our recessed bushings are designed to protect passage holes and for the attachment of our gangways, offering an ideal combination of strength and lightness. The attention to detail and industrial quality of our carbon fiber recessed bushings ensure reliable performance and long-lasting durability.



Item Code: BCCL

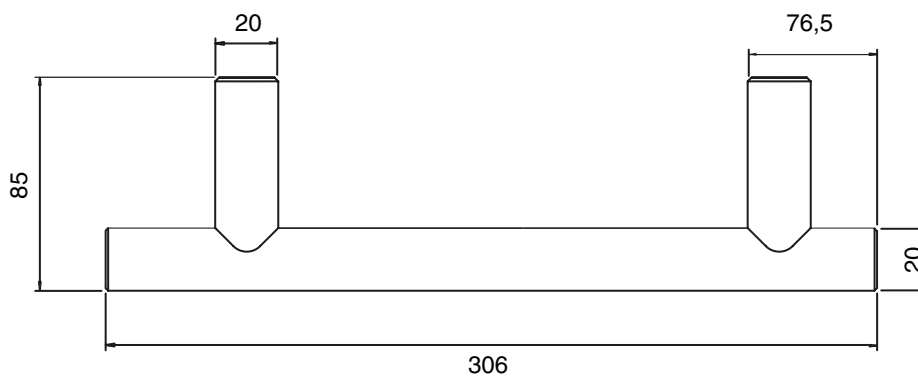
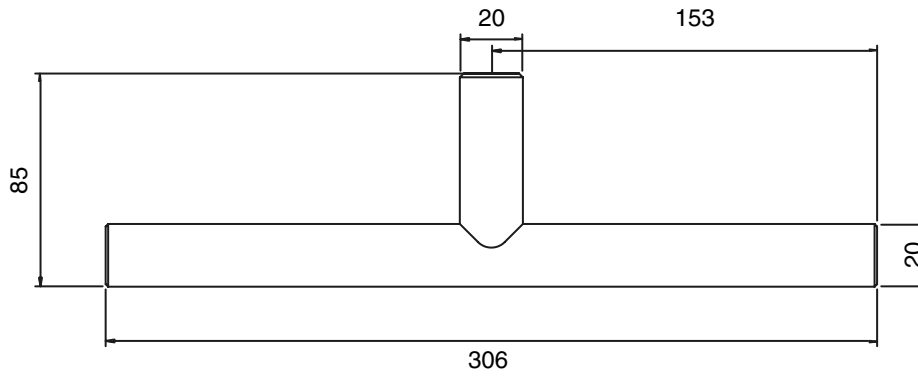
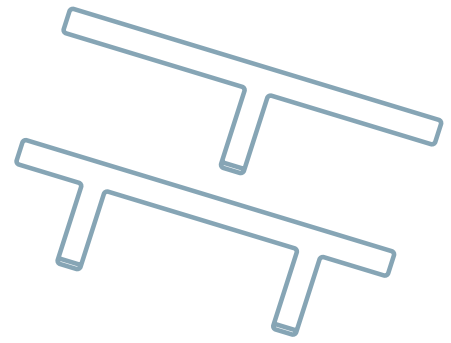
Material	carbon fiber; epoxy resin
Outer diameter	40 mm
Inner diameter	20 mm
Height	90 mm
Thickness	5 mm

Accessories

Fastening pins



Fastening pins, made in Italy from AISI 316 stainless steel, are an essential component to ensure the stability of our gangways. Supply and installation are included in the purchase of the gangway.



Swivel pivot

Item code: EWPS

Material	stainless steel AISI 316 L
Diameter	20 mm
Thickness	1,5 mm

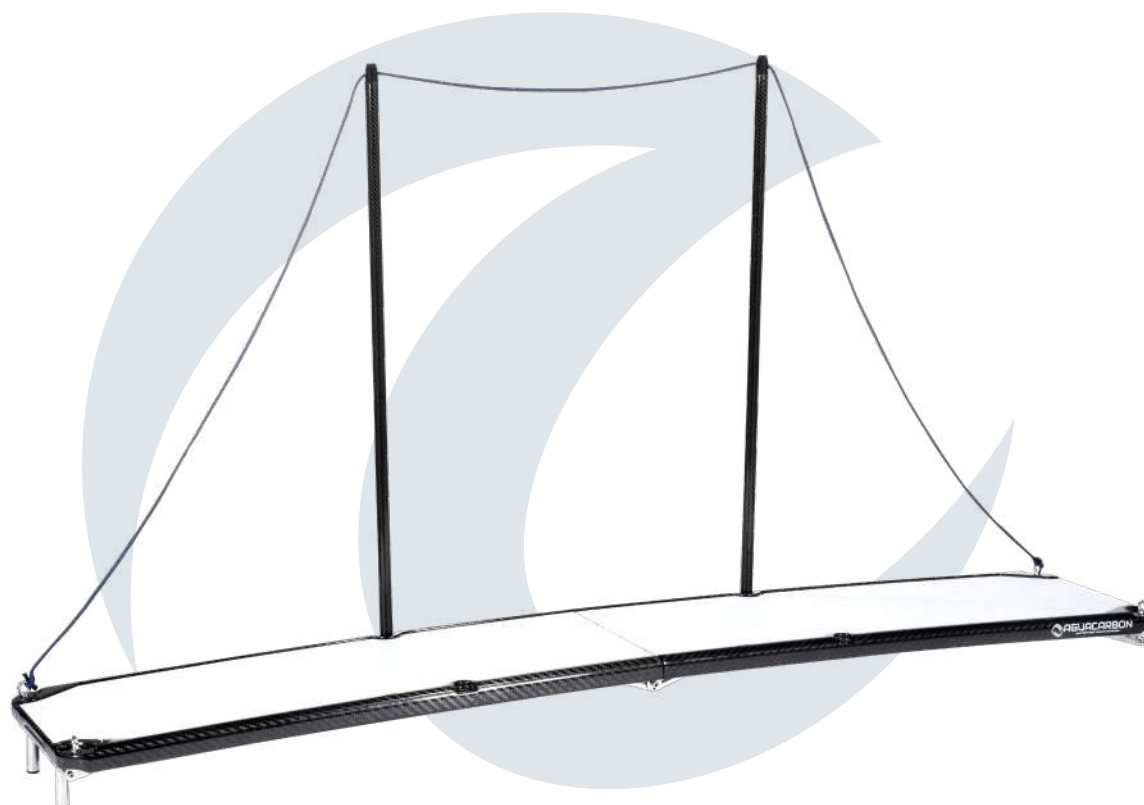
Double pivot

Item code: EWPD

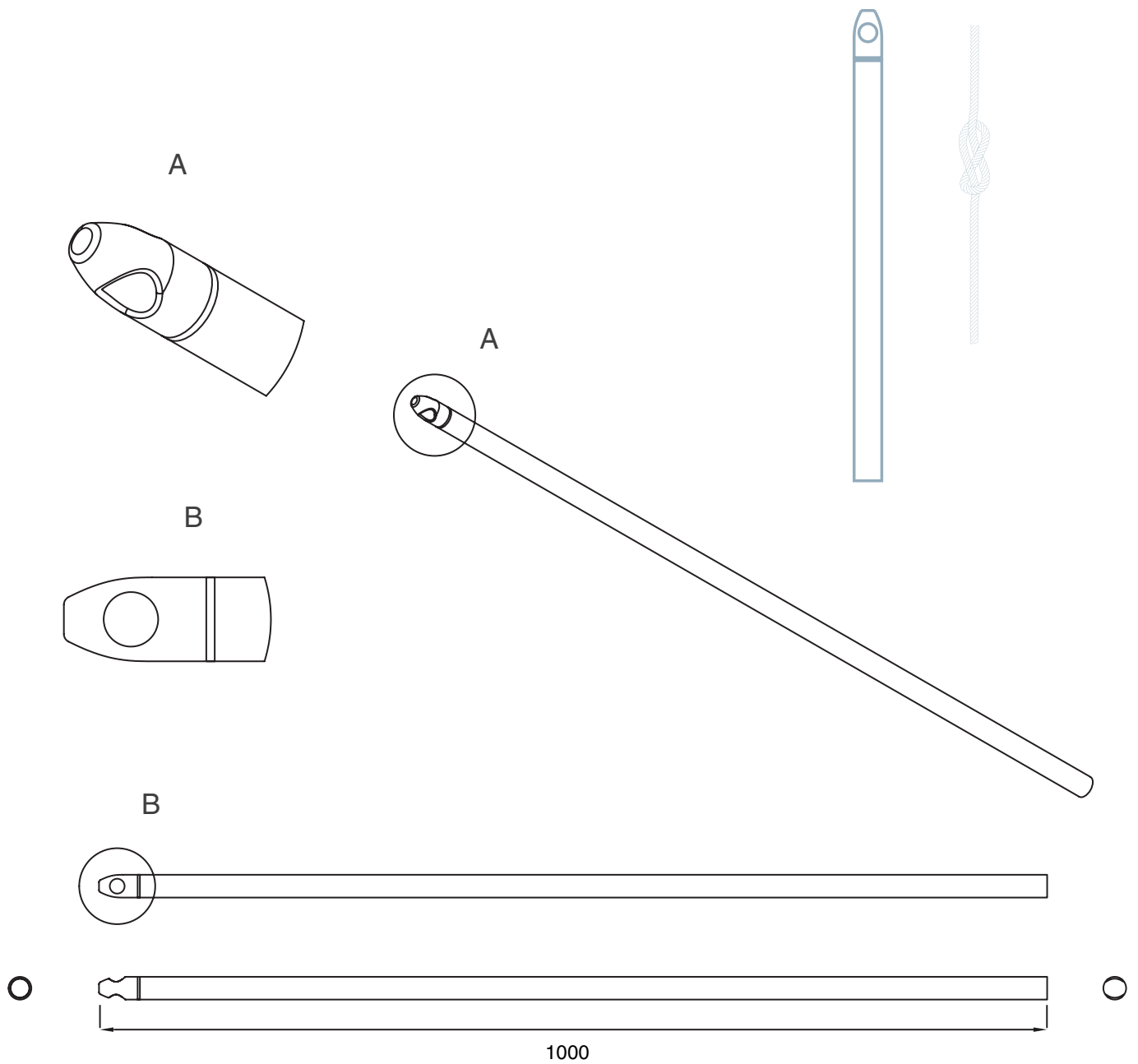
Material	stainless steel AISI 316 L
Diameter	20 mm
Thickness	1,5 mm

Accessories

Stanchions



Aguacarbon stanchions are the perfect choice to ensure a safe and easy passage on the gangway, also serving as handrails. Designed and manufactured in Italy using carbon fiber and epoxy resin with ABS inserts, our stanchions are a detail that will elevate the aesthetics of your gangway.



Item code: CNDLREW

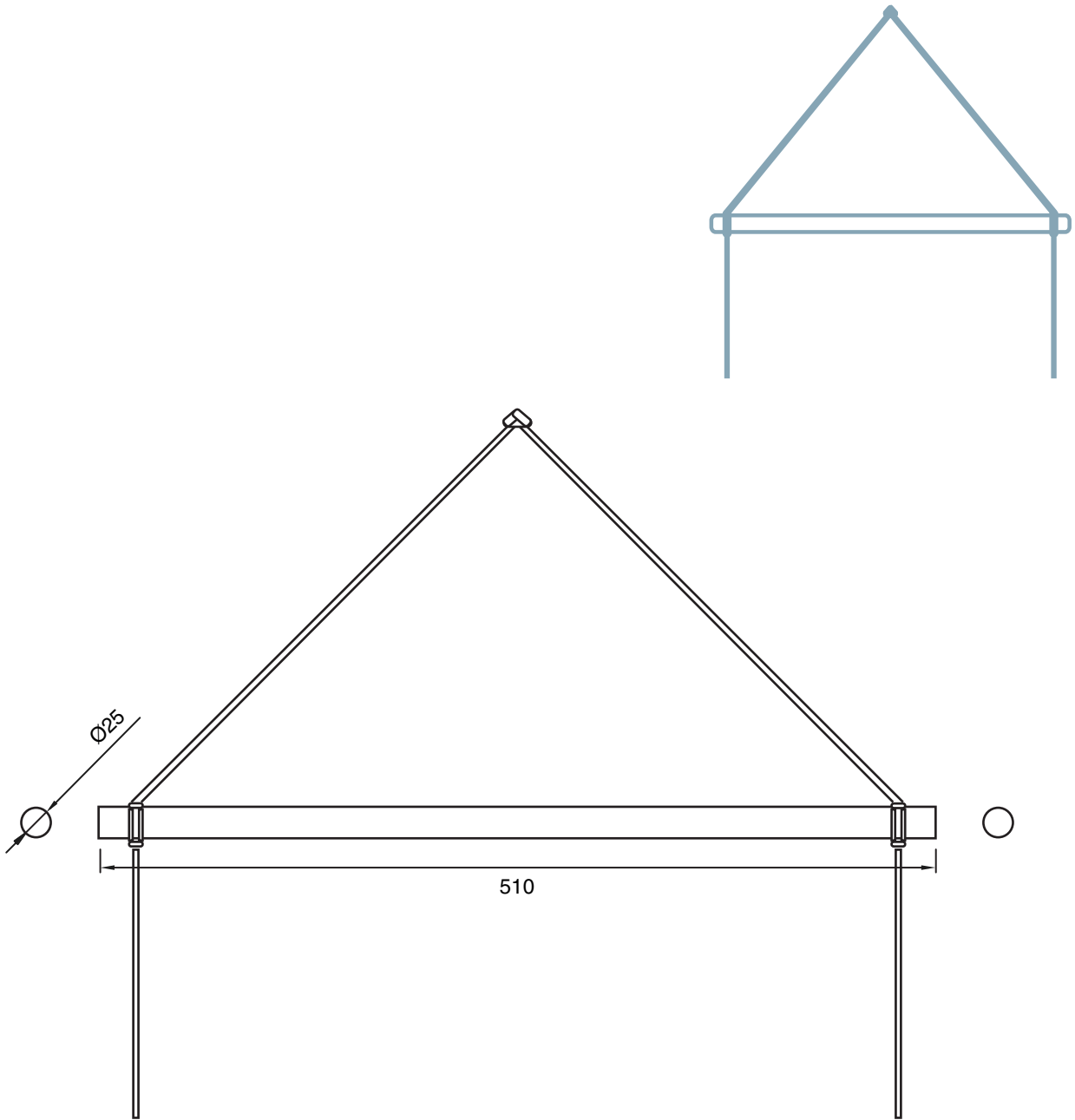
Material	carbon fiber; epoxy resin; ABS
Length	1000 mm
Thickness	1,5 mm
Diameter	25 mm

Accessories

Carbon trapeze with Dyneema line



The combination of carbon fiber and Dyneema rope creates the perfect synergy between lightness and strength, allowing for the safe lifting of the gangway.



Item code: TRPZ

Material	carbon fiber; epoxy resin; Dyneema rope
Diameter	25 mm
Thickness	1,5 mm

Finishes

The deck of your vessel deserves utmost attention to ensure comfort, safety, and style.

We offer various options for personalized finishing that will make your EasyWay truly exclusive.



Finishes

Available finishes

Non-slip tread

The KiwiGrip tread provides a secure grip even in the most challenging marine conditions. Available in multiple color ranges, you can personalize the tread according to your unique style.

Color options include: white, grey, blue.



Synthetic teak

Synthetic teak is a sophisticated solution that provides the elegant look of natural teak without its drawbacks, such as maintenance, wear resistance, and slip resistance. Crafted from weather-resistant materials, synthetic teak offers exceptional durability and requires little to no treatment.



brown/black



dark grey/
light grey



light grey/
white



brown/white



grey/black



light grey/
black



Custom decals

If you desire a creative and unique finish, you can choose to apply custom decals. We can create tailored decals featuring graphics, logos, or designs that reflect your personal style.



Duffel bags

Easy Way duffel bags have been designed to meet the demands of life on a boat. They are highly practical and feature padded corners to ensure maximum protection during travel. Made in Italy with high-quality technical fabric, Easy Way duffel bags provide safety and durability for transporting items.



Duffel bag

EasyWay gangway duffel bag



Item Code: BRSEWP215

BRSEWP240

BRSEWP260

BRSEWP280

Material	technical polyester fabric; technical polyester mesh;	technical polyester fabric; technical polyester mesh;	technical polyester fabric; technical polyester mesh;	technical polyester fabric; technical polyester mesh;
Composition	Zipper opening; Reinforced handles; Padding on the sides	Zipper opening; Reinforced handles; Padding on the sides	Zipper opening; Reinforced handles; Padding on the sides	Zipper opening; Reinforced handles; Padding on the sides
Dimensions	1100x400x220mm	1250x400x220mm	1350x400x220mm	1600x400x220mm

Option for customization with client's logo.

EasyPol

The perfect solution born to protect you from the sun with quality and safety.



EasyPol



EasyPol is the awning pole that is the perfect solution for all boats, from small craft to superyachts. Engineered with an elegant design and state-of-the-art technical solutions, they are synonymous with quality and durability.

Made entirely of carbon fibre, the EasyPol boast a carbon look finish with transparent UV protection.

A customised paint finish with colours of your choice is available on request.

The locking system is designed for easy installation on any type of deck, with minimal impact on the hull. EasyPol is supplied with recessed carbon fibre bushings with an integrated drainage system and a carbon fibre cover.

Each set can be supplied with a padded storage bag for optimal protection during transport and storage.

EasyPol

Awning pole

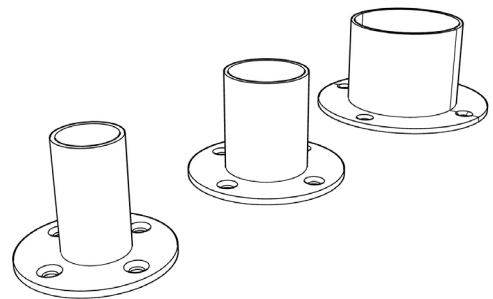
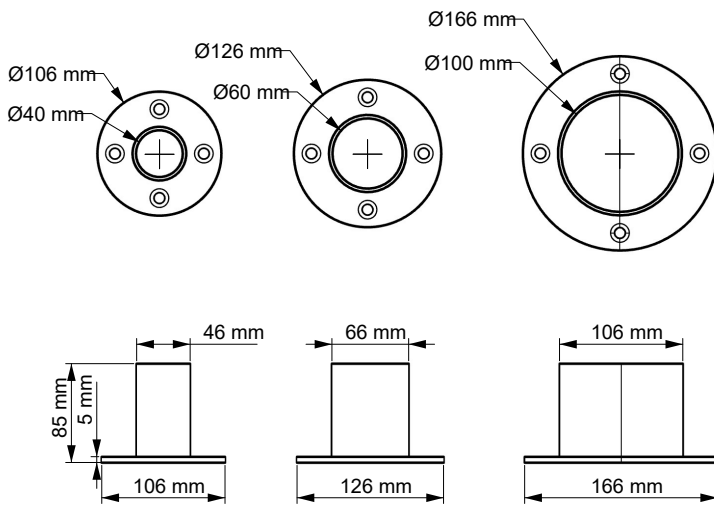
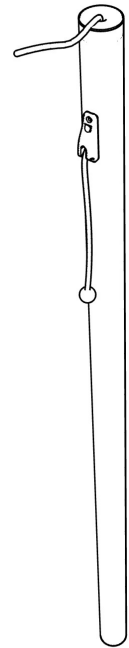
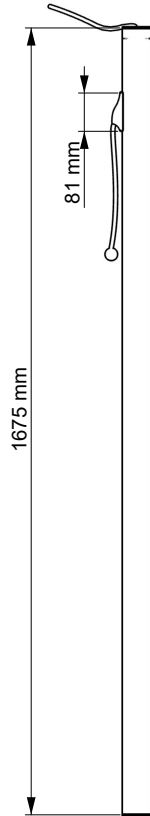
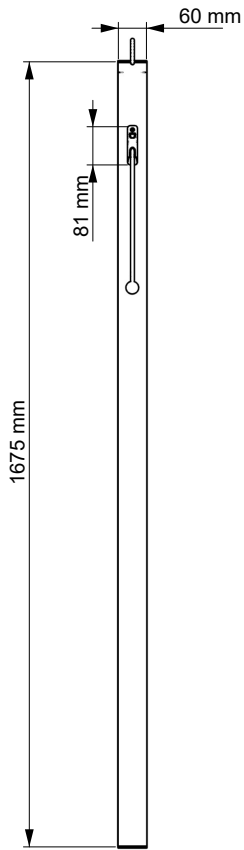


Standard Equipment

- recessed carbon fibre bushings, Ø 40 mm
- dyneema rope

Customizations

Custom sizes and configurations are available upon request.



Item Code PLTCL160/40 PLTCL250/40 PLTCL280/40

Material	carbon fiber; epoxy resin	carbon fiber; epoxy resin	carbon fiber; epoxy resin
Diameter	400 mm	400 mm	400 mm
Height	1600 mm	2500 mm	2800 mm

Flyup

Practicality and comfort for your swims in the sea.
The modular carbon fibre bathing ladder designed to ensure a safe and comfortable descent with a unique style.



Flyup



Entirely made of carbon fiber, this swim ladder is designed to provide maximum comfort, lightness, and safety on board. The base version includes three wide steps, and thanks to its modular design, the ladder can be extended by adding additional steps to meet specific needs. Each step is covered with anti-slip EVA foam, ensuring excellent grip and comfort—even when barefoot. The ergonomic handrail has been specifically shaped to facilitate a secure and natural grip during ascent and descent. This is a fixed (non-foldable) structure, equipped with an anti-tilt system that guarantees perfect stability during use. The installation system uses hidden butterfly screws and pins, maintaining a clean look and allowing for quick and practical mounting. Available in two finishes, carbon look or polished. Strong, elegant, and highly functional, this ladder is ideal for those who seek technical performance and refined design in every detail.

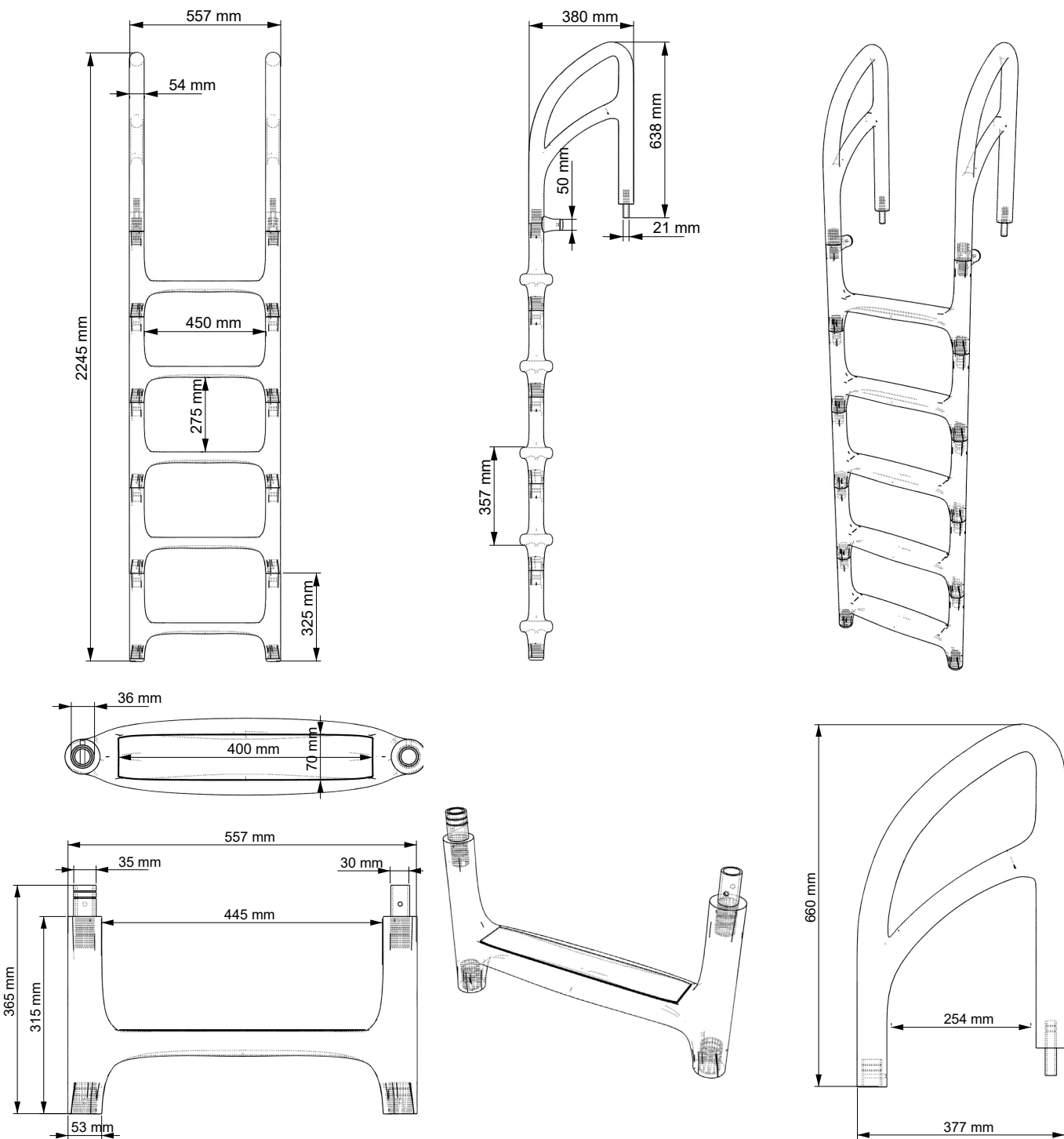
Flyup

Modular Carbon Fiber Swim Ladder



Accessories

- Lightweight and resistant carbon fibre fixing bushings
- Microporous non-slip tread for a secure grip
- AISI 316L stainless steel wing screws for quick, tool-free modular assembly
- A functional and durable system, ideal for any boat.



Item Code

FULCL176

FULCL246

FULCL316

Length

176 cm
(standard with 3 rungs)

246 cm
(5 rungs)

316 cm
(7 rungs)

Rungs
dimensions

43x8 cm

43x8 cm

43x8 cm

System fixing

Carbon bushing
Ø 2,5cm

Carbon bushing
Ø 2,5cm

Carbon bushing
Ø 2,5cm

Weight

Available Colours

carbon look,
matt black painted

carbon look,
matt black painted

carbon look,
matt black painted

Skyline Carbon Flag Pole

Inspired by the architectural profiles of the world's most iconic skylines, Skyline is the flagpole designed by Aguacarbon that combines **modern design and technical functionality.**



Skyline



Skyline is the Aguacarbon flagpole made entirely of carbon fibre. Its modern, clean and dynamic design has an ergonomic and slender shape, designed to naturally follow the line of the wind, giving your boat a distinctive aesthetic signature. Made entirely of carbon fibre, Skyline combines lightness and strength, maintaining high performance even in the most extreme marine conditions. The structure incorporates a stainless steel base designed to ensure a solid and discreet attachment, while the upper end is completed by a steel plate that enhances the flag attachment point with a technical and elegant detail. Available in three lengths – 90, 130 and 180 cm – and in two finishes: Carbon Look with visible weave or Dark Anthracite painted. The Skylite version is also available, with integrated lighting for greater visibility at night. Skyline is a technical and aesthetic accessory, designed for those who want to express their identity at sea with style and innovation.

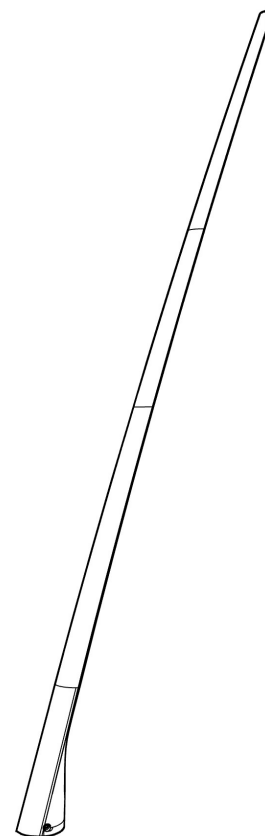
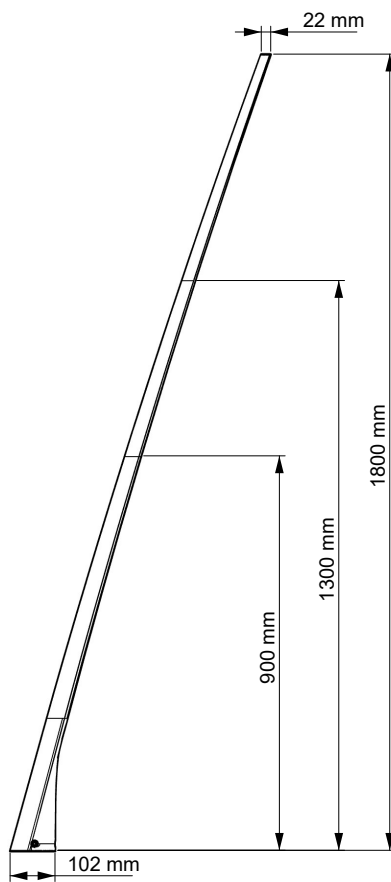
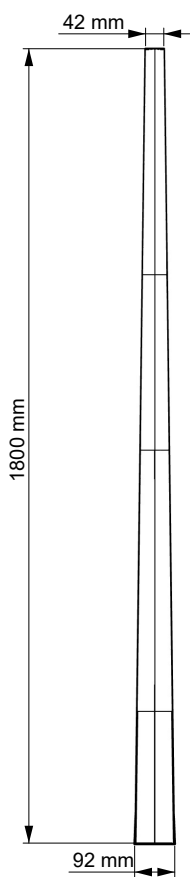
Skyline

Carbon Flag Pole



Accessories

- AISI316L stainless steel pole base insert
- Integrated flag fastening system, designed to ensure stability and ease of use
- Fastening system also available with bushings
- Preparation for Starlink antenna installation



Item Code

SKL90

SKL130

SKL180

Available heights

90 cm

130 cm

180 cm

Mounting base dimensions

10 cm

10 cm

10 cm

Easygrips

EasyGrips, the carbon fibre detail that combines design and performance.



Easygrips



EasyGrips are Aguacarbon handles designed to facilitate boarding in total safety and comfort. EasyGrips are lightweight, durable and ergonomically designed handles made from 100% carbon fibre. Thanks to their shape, which is designed to offer optimal grip, they guarantee secure support even in wet conditions or rough seas. The structure is ultra-lightweight but high-performance, ideal for reducing overall weight without compromising strength. Easy to install and resistant to marine corrosion, EasyGrips are the ideal complement to ladders, transoms or boarding areas on all types of boats. Designed for those seeking maximum functionality with an essential and technical style, they integrate perfectly with the Aguacarbon aesthetic, offering an elegant solution for those who do not compromise on attention to detail and high performance.

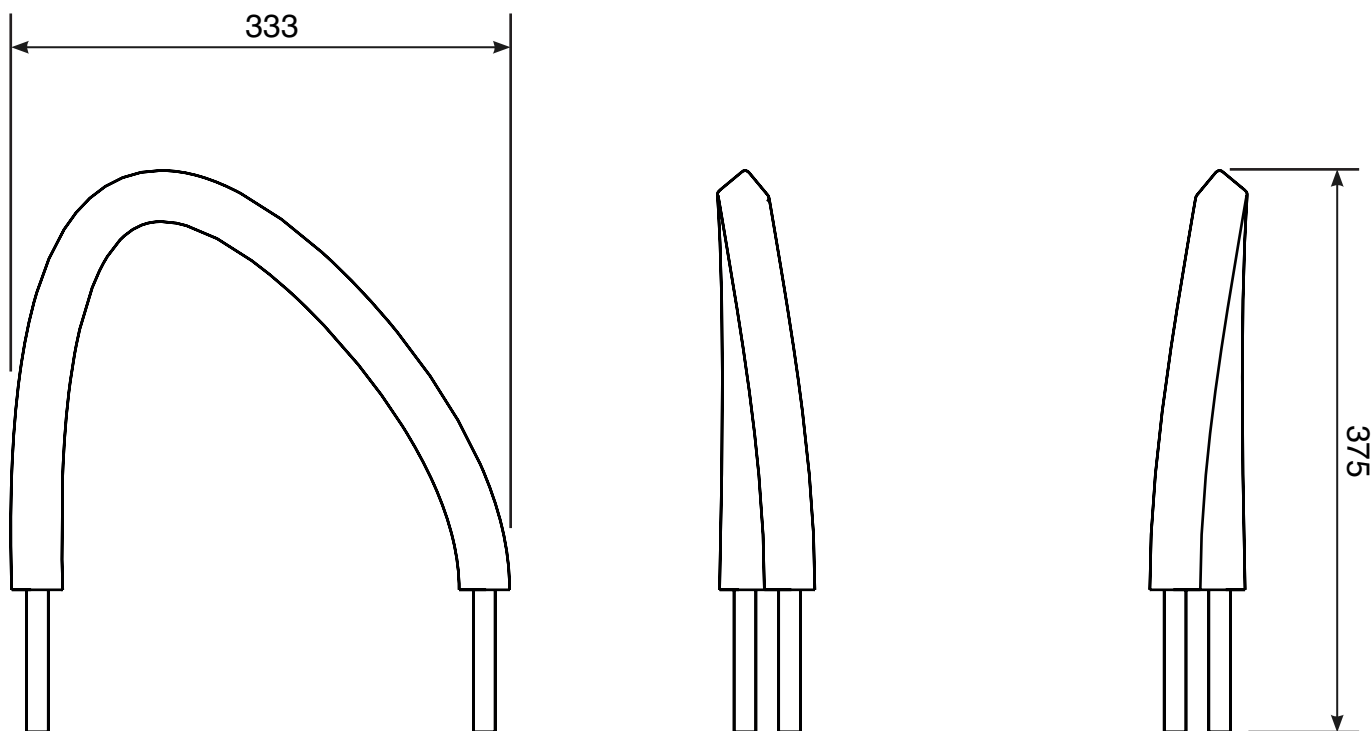
Easygrips

Maniglette per la risalita



Accessories

- Carbon fiber fixing bushings



Item Code ESGBLK

Material	Carbon fiber, Epoxy resin
Dimensions	333 mm x 375 mm





Contacts

Customer service

info@aguacarbon.com

Sales & Marketing

sales@aguacarbon.com

+39 327 604 3898

Administration

amministrazione@aguacarbon.com

neotecmar@pec.it

Location

business address: Via Erasmo Piaggio 77/e Chieti

headquarters: Via Matrino 143 Città Sant'Angelo

Learn more!

Scan the QR code





AGUACARBON[®]

your lightweight nautical accessories

www.aguacarbon.com

Neotecmar Srl
VAT IT02381240684

© 2025 Copyright